

Type 1490 Low Pressure Diaphragm Gauge



- *Glass-filled polysulfone case material, won't rust or dent*
- *Beryllium copper diaphragm*
- *Brass socket*
- *Wetted materials of beryllium copper, brass, polysulfone and RTV silicone*

The Ashcroft® Type 1490 low pressure diaphragm gauge is designed to measure pressure from 10 in. H₂O to 15 psi, both positive and negative pressures. This gauge uses a very sensitive diaphragm capsule to measure low pressure and vacuum. The gauge is specifically designed for use whenever the pressure medium is a gas that is not corrosive to beryllium copper, brass, polysulfone and RTV silicone. The polysulfone case is suitable for intermittent or continuous service on natural gas provided a .013 throttle plug is installed in the socket. Typical applications are, but not limited to, vacuum pumps, gas leak detectors, air compressors, air filters, gas burners, gas measurement, vacuum ovens, suction regulators and respirators.

PRODUCT SPECIFICATIONS

Model Number:	1490
Accuracy:	±2-1-2% full scale (Grade A, ASME B40.100)
Ranges:	10 in. H ₂ O through 15 psi including vac. and compound
Dial Size:	2½" and 3½" diameter
Case Material:	Black, glass filled polysulfone
Socket Material:	Brass
Movement:	Brass
Sensing Element:	Beryllium copper diaphragm
Wetted Material:	Beryllium copper, brass, polysulfone and RTV silicone
Window:	Polycarbonate, quarter turn bayonet style mounting
Dial:	Aluminum, white background, black figures and intervals.
Pointer:	Black, aluminum, fixed
Connection Size:	1/8" NPT (01) 1/4" NPT (02) 1/8" tubing hose barb (HD) 3/16" tubing hose barb (HE) 1/4" tubing hose barb (HF) 1/4" O.D. polytube hose barb (HG) 10-32 2B female thread (HH)
Connection Location:	Lower (L) Center Back (B) Top (T) 3 o'clock (D) 9 o'clock (E)
Operating Temperature:	-20 to 180°F
Proof Pressure:	150% of range
Burst Pressure:	Up to 5 psi = 50 psi Greater than 5 psi = 100 psi

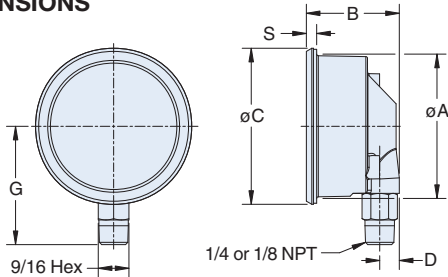
OPTIONAL FEATURES

1% Accuracy:	XAN
Dial Marking:	XDA
Stainless Steel Tag:	XNH
Paper Tag:	XNN
Throttle Plug:⁽¹⁾⁽³⁾	XTU
Throttle Screw:⁽⁴⁾	XTS
U-clamp:⁽²⁾	XUC
FlutterGuard™:	XZY

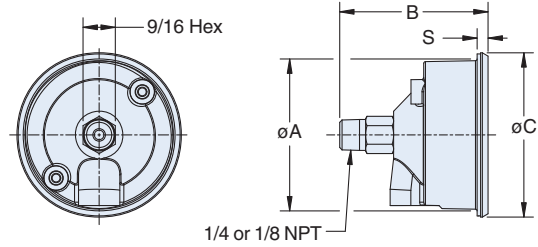
- (1) A throttle plug must be installed in the socket whenever the gauge is used for intermittent or continuous service on natural gas.
- (2) U-clamp furnished when hose barb or female thread is specified.
- (3) Throttle plug not available with hose barb or female thread connections.
- (4) .020 throttle screw available with HH connection only.

Type 1490 Low Pressure Diaphragm Gauge

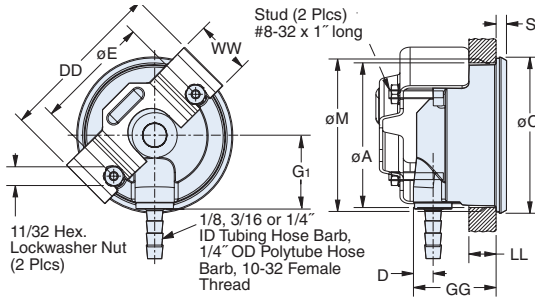
DIMENSIONS



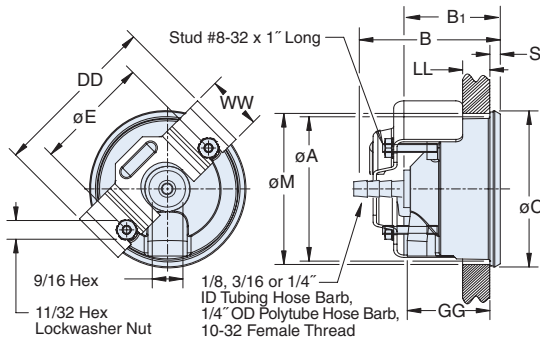
Size	øA	B	øC	D	G	S
25	2 ¹⁹ / ₃₂ (66)	1 ²³ / ₃₂ (44)	2 ⁷ / ₈ (73)	3 ¹⁰ / ₁₆ (10)	2 ³ / ₁₆ (55)	1 ³ / ₆₄ (5)
35	3 ² / ₃₂ (93)	1 ¹ / ₁₆ (43)	3 ³ / ₃₂ (101)	3 ¹⁰ / ₁₆ (10)	2 ²³ / ₃₂ (69)	1 ³ / ₆₄ (5)



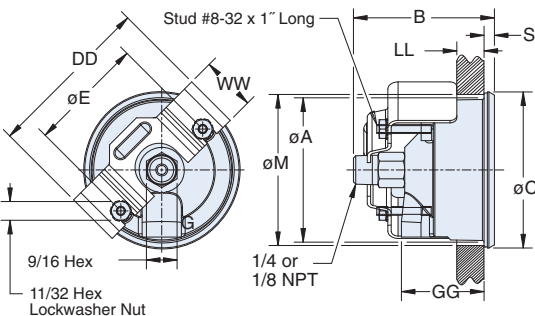
Size	øA	B	øC	S
25	2 ¹⁹ / ₃₂ (66)	2 ¹⁹ / ₃₂ (66)	2 ⁷ / ₈ (73)	1 ³ / ₆₄ (5)
35	3 ² / ₃₂ (93)	2 ⁹ / ₁₆ (65)	3 ³ / ₃₂ (101)	1 ³ / ₆₄ (5)



Size	øA	øC	D	øE	G				10-32 Female	øM	S	DD	GG	LL Max.	WW
					1/8 ID Tubing	3/16 ID Tubing	1/4 ID Tubing	1/2 OD Tubing							
25	2 ¹⁹ / ₃₂ (66)	2 ⁷ / ₈ (73)	3 ¹⁰ / ₁₆ (10)	2 ¹ / ₈ (54)	1 ³ / ₄ (44)	2 ¹ / ₈ (54)	2 ⁹ / ₃₂ (54)	1 ³ / ₄ (44)	1 ¹¹ / ₃₂ (34)	2 ²¹ / ₃₂ (67)	1 ³ / ₆₄ (5)	3 ¹ / ₁₆ (78)	1 ¹⁹ / ₃₂ (40)	1/2 (13)	1 (25)
35	3 ² / ₃₂ (93)	3 ³ / ₃₂ (101)	3 ¹⁰ / ₁₆ (10)	3 ³ / ₁₆ (67)	2 ⁵ / ₁₆ (59)	2 ² / ₁₆ (81)	2 ¹⁹ / ₃₂ (54)	2 ⁵ / ₁₆ (59)	1 ³ / ₃₂ (50)	3 ³ / ₄ (95)	1 ³ / ₆₄ (5)	4 ¹ / ₈ (105)	1 ¹⁷ / ₃₂ (39)	1/2 (13)	1 (25)



Size	øA	B				10-32 Female	øC	øE	øM	S	DD	GG	LL Max.	WW
		1/8 ID Tubing	3/16 ID Tubing	1/4 ID Tubing	1/2 OD Tubing									
25	2 ¹⁹ / ₃₂ (66)	2 ³ / ₁₆ (55)	2 ¹⁷ / ₃₂ (64)	2 ¹ / ₁₆ (68)	2 ³ / ₁₆ (55)	1 ²⁵ / ₃₂ (45)	2 ⁷ / ₈ (73)	2 ¹ / ₈ (54)	2 ²¹ / ₃₂ (67)	1 ³ / ₆₄ (5)	3 ¹ / ₁₆ (78)	1 ¹⁹ / ₃₂ (40)	1/2 (13)	1 (25)
35	3 ² / ₃₂ (93)	2 ¹ / ₈ (54)	2 ¹ / ₂ (63)	2 ² / ₁₆ (67)	2 ¹ / ₈ (54)	1 ²³ / ₃₂ (44)	3 ³ / ₃₂ (101)	3 ³ / ₁₆ (81)	3 ³ / ₄ (95)	1 ³ / ₆₄ (5)	4 ¹ / ₈ (105)	1 ¹⁷ / ₃₂ (39)	1/2 (13)	1 (25)



U-clamp Option

Size	øA	B	øC	øE	øM	S	DD	GG	LL MAX	WW
25	2 ¹⁹ / ₃₂ (66)	2 ¹⁹ / ₃₂ (66)	2 ⁷ / ₈ (73)	2 ¹ / ₈ (54)	2 ² / ₁₆ (67)	1 ³ / ₆₄ (5)	3 ¹ / ₁₆ (78)	1 ¹⁹ / ₃₂ (40)	1/2 (13)	1 (25)
35	3 ² / ₃₂ (93)	2 ⁹ / ₁₆ (65)	3 ³ / ₃₂ (101)	3 ³ / ₁₆ (81)	3 ³ / ₄ (95)	1 ³ / ₆₄ (5)	4 ¹ / ₈ (105)	1 ¹⁷ / ₃₂ (39)	1/2 (13)	1 (25)